

Weight and Balance for Cirrus SR22 N65TY

Aircraft weighed with fuel tanks and TKS tanks drained.
Front seats full forward per maintenance manual.
Tow bar, fire extinguisher & flight manual included

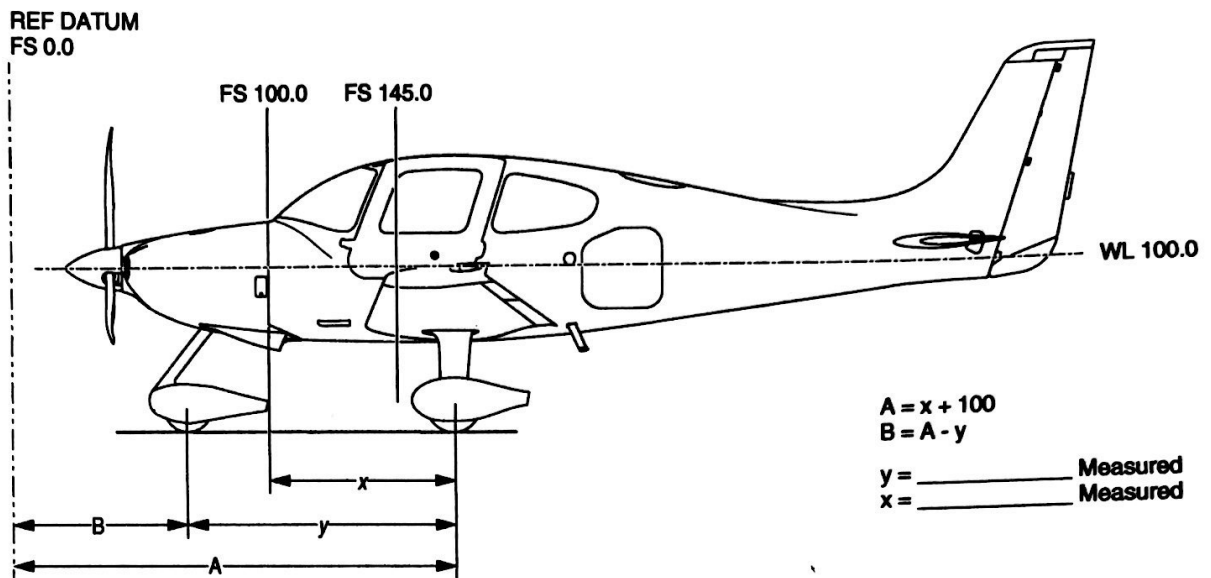
Weighed aircraft on scales:	Weight	Arm	Moment
Nose wheel	520	70.0	36400.0
Left main	981	157.5	154507.5
Right main	977	157.5	153877.5
Total	2478		344785.0
Unusable fuel	18	154.9	2488.0

Gross weight = 3400 pounds

Empty weight & CG 2496 pounds at 139.25" arm

New useful load = 904 pounds

Prepared on 09/12/2018 by: Glenn E. Juber, A&P 3438378



Serials 22-0002 thru 22-2333, 22-2335 thru 22-2419, 22-2421 thru 22-2437.

SR22_MM08_1341B

Figure 08-201
Airplane Weighing - Serials 22-0002 thru 22-2437 (Sheet 1 of 2)

Weighing Point	Scale Reading	- Tare	= Net Weight	X Arm	= Moment
Left Main	982	—	981	A = 157.5	154507.5
Right Main	977	—	977	A = 157.5	153877.5
Nose Gear	520	—	520	B = 70	36400
Total As Weighed	2478		2478	CG = 139.14	344785
CG = Total Moment ÷ Total Weight					
Space below provided for additions or subtractions to as weighed condition.					
WEIGHED WITH TKRS & FUEL TANKS EMPTY, TOW BAR					
AT AFT BAGGAGE WALL, FLIGHT MANUAL IN COPILOT SEAT BACK POCKET, SEATS FORWARD PER SR22MM.					
Empty Weight			2478	CG = 139.14	344785
Engine Oil (if oil drained) 15 lb at FS 78.4, Moment = 1176			FULL		
Unusable Fuel			18.0	154.9	2788
Basic Empty Weight			2496	CG = 139.25	347573
C.G. % MAC = 100 x (C.G. Inches - LEMAC) ÷ MAC					
= 100 x (C.G. Inches - 133.1) ÷ 47.7					