

is Design
SR22

Delivered Weight Data & Equipment List

Model SR22

Serial Number: 2293
Registration Number: ~~N20075~~ N4205E
Basic Empty Weight: 2452 lb
Total Moment/1000: 338.100
Center of Gravity: F.S.137.9 or 10.0 MAC
Parachute Canopy Color: Orange / White

The following pages list required, standard, and optional equipment, as well as gives the weight and arm of each listed item. This listing represents the airplane and all options available at the time of delivery and does not include any equipment installed after delivery.

Note:

Not all optional equipment in this listing was installed in the above serial number airplane. Equipment listed as optional but not installed in the airplane is indicated by a hyphen (-) in the quantity column for that piece of equipment.

ATA - Item:

Each item in the listing is provided a unique number. The first two digits of the number represent the ATA or GAMA Chapter reference number. These numbers are used industry wide and in the Cirrus Design SR22 Maintenance Documentation to locate items in the Maintenance Manuals and or Parts Catalogs. The two digits following the hyphen are sequence numbers for each item in that chapter.

Description:

This is the component, assembly, or installation name.

Sym:

Items in this listing are coded by a symbol indicating the status of the item. These codes are:

C Required item for FAA Certification.

S Standard equipment. Most standard equipment is applicable to all airplanes. Some equipment may be replaced by optional equipment.

O Optional equipment. Optional equipment may be installed in addition to or to replace standard equipment.

Qty:

The quantity of the listed item in the airplane. A hyphen (-) in this column indicates that the equipment was not installed

Part Number

This is the Cirrus Design Part Number for the component, assembly, or installation

Unit Wt

The weight, in pounds, of one each of the listed item.

Arm

The arm, in inches, of the listed item.

| ATA / Item | Description | Sym | Qty | Part Number | Unit Wt | Arm |
|------------|-----------------------------|-----|-----|-------------|---------|-------|
| 21 | Air Conditioning | | | | | |
| 21-01 | Blower Fan Only | O | 1 | 20970-001 | 7.4 | 142.5 |
| 21-02 | Compressor | O | - | 17557-001 | 15.0 | 93.1 |
| 21-03 | Condenser Assembly | O | - | 21209-001 | 17.0 | 132.8 |
| 21-04 | Evaporator Assembly | O | - | 21114-002 | 17.5 | 199.5 |
| 22 | AutoFlight | | | | | |
| 22-01 | Sys 55X Autopilot Prgmmr | S | 1 | 14779-002 | 3.0 | 123.3 |
| 22-02 | Altitude Transducer | S | 1 | 12722-001 | 0.2 | 112.4 |
| 23 | Communications | | | | | |
| 23-01 | Radios, See 34 – Navigation | - | - | - | - | - |
| 23-02 | Com 1 Antenna | C | 1 | 12740-001 | 0.5 | 178.5 |
| 23-03 | Com 2 Antenna | S | 1 | 12741-001 | 0.5 | 204.6 |
| 24 | Electrical Power | | | | | |

| ATA / Item | Description | Sym | Qty | Part Number | Unit Wt | Arm |
|------------|---|-----|-----|----------------|---------|-------|
| 24-01 | Alternator 1 | C | 1 | 646843 | 12.3 | 61.8 |
| 24-02 | Alternator 2 | C | 1 | 13565-001 | 5.7 | 91.0 |
| 24-03 | MCU | C | 1 | 19910-001 | 9.8 | 98.0 |
| 24-04 | Volt / Ammeter | C | 1 | 11240-001 | 0.8 | 119.7 |
| 24-05 | Battery 1 | C | 1 | 50366-001 | 28.0 | 96.0 |
| 24-06 | Battery 2 | C | 1 | 50979-011 | 11.5 | 230.0 |
| 25 | Equipment & Furnishings | | | | | |
| 25-01 | Emergency Locator Transmitter & Batteries | C | 1 | 20220-001 | 3.6 | 228.8 |
| 25-02 | Fwd Seat & Restraint Inst. (Leather: add 0.4 lb each) | C | 2 | 20907-003/-004 | 27.0 | 149.3 |
| 25-03 | Rear Seat Installation (Leather: add 0.4 lb each) | C | 2 | 12053-002 | 21.8 | 185.0 |
| 25-04 | Rear Seat Restraint | C | 2 | 12491-001 | 2.3 | 185.0 |
| 26 | Fire Protection | | | | | |
| 26-01 | Portable Fire Extinguisher | C | 1 | 12533-003 | 1.5 | 137.6 |
| 27 | Flight Controls | | | | | |
| 27-01 | Flap Actuator, Modified | C | 1 | 11787-002 | 4.4 | 173.9 |
| 27-02 | Roll Trim Cartridge Assy | C | 1 | 15660-001 | 0.4 | 161.8 |
| 27-03 | Roll Trim Motor Assembly | C | 1 | 12546-001 | 1.3 | 159.8 |
| 27-04 | Pitch Trim Cartridge Assy | C | 1 | 15560-002 | 0.4 | 310.9 |
| 27-05 | Pitch Trim Motor Assy | C | 1 | 11794-004 | 1.3 | 303.5 |
| 27-06 | Yaw Trim Cartridge Assy | C | 1 | 11898-002 | 0.4 | 106.2 |
| 28 | Fuel | | | | | |
| 28-01 | Fuel Quantity Indicator | C | 1 | 13557-001 | 0.8 | 138.0 |
| 28-02 | Fuel Selector Valve | C | 1 | 11627-001 | 1.8 | 140.8 |
| 28-03 | Gascolator | C | 1 | 14069-001 | 1.0 | 98.5 |
| 28-04 | Fuel Cap Assy | S | 2 | 10052-001 | 0.3 | 152.3 |
| 28-05 | Fuel Level Sender (OTBD) | C | 2 | 13467-001/-002 | 0.3 | 157.8 |
| 28-06 | Fuel Level Sender (INBD) | C | 2 | 13467-003/-004 | 0.3 | 157.8 |
| 30 | Ice & Rain Protection | | | | | |
| 30-01 | Propeller Slinger Ring | O | 1 | 15321-001 | 1.5 | 55.0 |
| 30-02 | De-Icing Fluid Reservoir | O | 1 | 15269-002 | 4.2 | 181.0 |
| 30-03 | Metering Pump | O | 1 | 15165-013 | 4.5 | 176.0 |
| 31 | Indicating & Recording | | | | | |
| 31-01 | Annunciator Panel | C | 1 | 15262-001 | 0.3 | 117.2 |
| 31-02 | Hourmeter | S | 1 | 12135-001 | 0.1 | 142.3 |

DESCRIPTION

| ATA / Item | Description | Sym | Qty | Part Number | Unit Wt | Arm |
|------------|--|-----|-----|----------------|---------|-------|
| 32 | Landing Gear | | | | | |
| 32-01 | Main Landing Gear Installation | C | 2 | 13287-003/004 | 34.0 | 157.5 |
| 32-02 | Main Landing Gear Fairing Installation | S | 2 | 13420-002 | 12.5 | 157.5 |
| 32-05 | Brake Assembly | C | 2 | 13399-103 | 3.2 | 157.5 |
| 32-06 | Main Wheels | C | 2 | 13399-101 | 6.3 | 157.5 |
| 32-07 | Main Tire | C | 2 | 14075-004 | 6.3 | 157.5 |
| 32-08 | Main Tube | C | 2 | 14076-004 | 1.0 | 157.5 |
| 32-09 | Nose Landing Gear Installation | C | 1 | 13388-002 | 35.0 | 86.0 |
| 32-10 | Nose Wheel | C | 1 | 12798-001 | 4.5 | 70.0 |
| 32-11 | Nose Tire 5.00 x 5 | C | 1 | 14075-001 | 4.3 | 70.0 |
| 32-12 | Nose Tire Tube | C | 1 | 14076-001 | 1.0 | 70.0 |
| 32-13 | Nose Gear Fairing & Pant | S | 1 | 15567-001 | 0.9 | 78.0 |
| 32-14 | Brake Master Cylinder | C | 4 | 14269-001 | 0.6 | 104.5 |
| 32-15 | Brake Fluid Reservoir | C | 1 | 12006-001 | 0.4 | 98.1 |
| 33 | Lights | | | | | |
| 33-01 | L/R Strobe/Nav Lights | C | 2 | 50626-001/-002 | 0.6 | 158.0 |
| 33-02 | Strobe Power Supply (2) | C | 2 | 50625-001 | 1.7 | 158.0 |
| 33-03 | Landing Light Installation | S | 1 | 20248-004 | 1.9 | 80.0 |
| 34 | Navigation & Pitot Static | | | | | |
| 34-01 | Avidyne FlightMax MFD | O | 1 | 14751-001 | 6.4 | 121.8 |
| 34-02 | Avidyne FlightMax PFD | O | 1 | 15222-001 | 12.0 | 115.5 |
| 34-03 | Altimeter | C | 1 | 12102-001 | 1.1 | 116.1 |
| 34-04 | TAS Indicator | C | 1 | 13568-002 | 0.7 | 116.9 |
| 34-05 | Magnetic Compass | C | 1 | 12451-002 | 0.3 | 132.7 |
| 34-06 | Attitude Gyro | C | 1 | 13459-002 | 2.2 | 114.5 |
| 34-07 | Marker Beacon Antenna | S | 1 | 12743-001 | 0.6 | 200.0 |
| 34-08 | GPS 1 Antenna | C | 1 | 12744-001 | 0.4 | 136.2 |
| 34-09 | GPS 2 Antenna | S | 1 | 12744-001 | 0.4 | 110.3 |
| 34-10 | Transponder Antenna | C | 1 | 12739-001 | 0.1 | 105.0 |
| 34-11 | VOR/LOC Antenna | C | 1 | 12742-001 | 0.4 | 331.0 |
| 34-12 | Turn Coordinator, Modified | C | 1 | 11891-001 | 1.8 | 118.0 |
| 34-13 | GMA 340 Audio Panel | S | 1 | 12717-050 | 1.5 | 121.5 |
| 34-14 | GNS 420 (GPS/COM/NAV) | O | - | 12718-004 | 5.0 | 121.0 |
| 34-15 | GNS 430 (GPS/COM/NAV) | C | 1 | 12718-051 | 5.0 | 121.0 |
| 34-16 | GNS 430 (GPS/COM/NAV) | O | 1 | 12718-051 | 5.0 | 122.4 |
| | EMax Engine Monitoring | | | | | |
| 34-17 | • Data Acquisition Unit | O | 1 | 16692-001 | 2.0 | 118.0 |
| 34-18 | • Monitor Cabin Harness | O | 1 | 16695-005 | 2.0 | 108.0 |
| | Sky Watch Option | | | | | |
| 34-19 | • Sky Watch Inverter | O | 1 | 14484-001 | 0.5 | 118.0 |
| 34-20 | • Sky Watch Antenna nstl | O | 1 | 14480-001 | 2.3 | 150.5 |

| ATA / Item | Description | Sym | Qty | Part Number | Unit Wt | Arm |
|------------|--|-----|-----|---------------|--------------|----------------|
| 34-21 | • Sky Watch Track Box Stormscope Option | O | 1 | 14477-050 | 10.0 | 140.0 |
| 34-22 | • Processor | O | 1 | 12745-050 | 1.7 | 199.0 |
| 34-23 | • Antenna Transponder Option | O | 1 | 12745-070 | 0.9 | 191.0 |
| 34-24 | • Mode A/C Transponder | C | 1 | 13587-001 | 1.6 | 124.9 |
| 34-25 | • Mode S Transponder TAWS Option | O | - | 15966-050 | 2.6 | 121.0 |
| 34-26 | • KGP 560 Processor XM Satellite Options | O | 1 | 15963-001 | 1.3 | 117.0 |
| 34-27 | • XM WX / Radio Receiver | O | 1 | 16121-001 | 1.7 | 114.0 |
| 34-28 | • XM Radio Remote Control | O | 1 | 16665-501 | 0.2 | 149.3 |
| 35 | Oxygen | | | | | |
| 35-01 | Bottle Assembly - Empty Full | O | 1 | 100N0020-4 | 17.4 23.8 | 262.3 265.3 |
| 61 | Propeller | | | | | |
| 61-01 | Hartzell Propeller Installation | C | - | 15319-00X | 79.8 | 48.0 |
| 61-02 | Hartzell Composite Propeller Installation | O | 1 | 18974-001 | 67.2 | 48.0 |
| 61-02 | McCauley Propeller Installation | O | - | 15825-00X | 78.0 | 50.0 |
| 61-03 | Propeller Governor | C | 1 | 15524-001 | 3.2 | 61.7 |
| 71 | Power Plant | | | | | |
| 71-01 | Upper Cowl | C | 1 | 20181-003 | 10.5 | 78.4 |
| 71-02 | Lower Cowl LH | C | 1 | 20182-005 | 5.4 | 78.4 |
| 71-03 | Lower Cowl RH | C | 1 | 20439-005 | 5.4 | 78.4 |
| 71-03 | Engine Baffling Installation | C | 1 | 15460-001 | 10.7 | 78.4 |
| 72 | Engine | | | | | |
| 72-01 | Engine | C | 1 | IO550N27B | 414.5 | 76.5 |
| 72-02 | Engine Mount Assembly | C | 1 | 15546-003 | 22.0 | 76.5 |
| 72-03 | Induction Filter | C | - | 50207-001 | 0.4 | 62.9 |
| 72-04 | Reiff Heater | O | - | L-6 | 1.9 | 76.0 |
| 73 | Engine Fuel | | | | | |
| 73-01 | Engine Driven Fuel Pump | C | 1 | ETI-SR22-2-11 | 3.32 | 93.7 |
| 73-02 | Electric Fuel Pump Assy. | C | 1 | 11839-001 | 2.3 | 97.7 |
| 73-03 | Fuel Pressure Switch Assy. | C | 1 | 13598-001 | 0.4 | 67.8 |
| 74 | Engine Ignition | | | | | |
| 74-01 | Spark Plugs | C | 12 | RHB32E | 0.3 | 78.4 |

DESCRIPTION

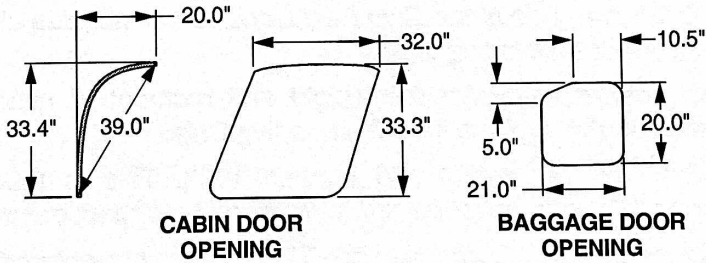
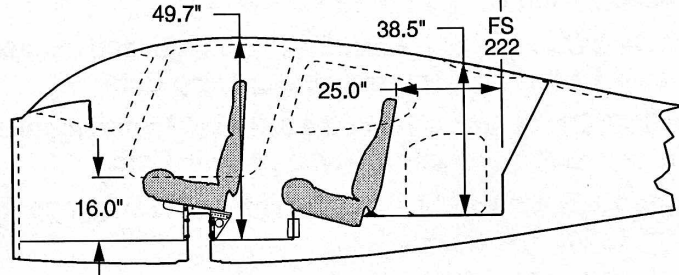
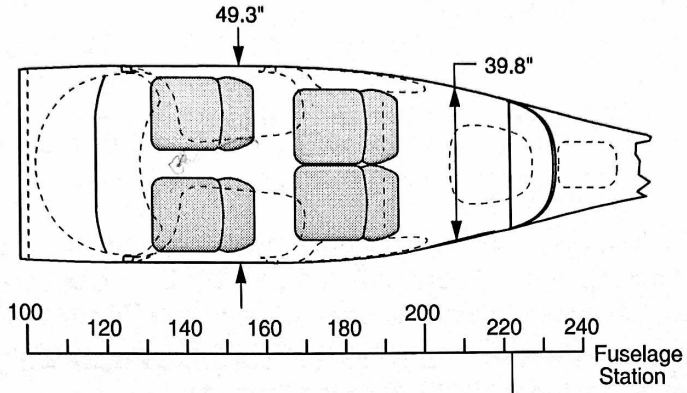
Cirrus Design
SR22

Weight Balance
Equipment List

WEIGHT & BALANCE

| ATA / Item | Description | Sym | Qty | Part Number | Unit Wt | Arm |
|------------|---|-----|-----|----------------|---------|-------|
| 74-02 | Magnetos (L & R) | C | 2 | 10-500556-101 | 11.6 | 74.5 |
| 74-03 | Ignition Switch Installation | C | 1 | 11915-003 | 0.5 | 123.0 |
| 78 | Engine Exhaust | | | | | |
| 78-01 | Heater Muffler | S | 1 | ETI-SR22-100-1 | 13.2 | 87.0 |
| 78-02 | LH Muffler | S | 1 | ETI-SR22-103-1 | 8.5 | 86.0 |
| 78-03 | Tailpipe | S | 2 | ETI-G2-110-L-1 | 12 | 99.0 |
| 79 | Oil | | | | | |
| 79-01 | Engine Oil Cooler | S | 1 | 10281A | 7.8 | 90.0 |
| 79-02 | Oil Filter | S | 1 | CH48108 | 1.5 | 93.4 |
| 80 | Starting | | | | | |
| 80-01 | 24-volt Starter | S | 1 | ES-646275-1 | 15.0 | 93.0 |
| 81 | Turbines-SA10588SC & SE10589SC | | | | | |
| 81-01 | LH Turbocharger | C | 1 | ETI-SR22-2000 | 15.0 | 84.0 |
| 81-02 | RH Turbocharger | C | 1 | ETI-SR22-1300 | 15.0 | 84.0 |
| 81-03 | LH Intercooler | C | 1 | ETI-G2-500-1 | 5.0 | 83.0 |
| 81-04 | RH Intercooler | C | 1 | ETI-G2-500-2 | 5.0 | 83.0 |
| 81-05 | Lower Cowl Modification | C | 1 | NA | 0.8 | 81.0 |
| 81-06 | Air Filter Box and Retainer | C | 1 | NA | 1.5 | 63.0 |
| 95 | Special Equipment | | | | | |
| 95-01 | Packed Parachute (CAPS) | C | 1 | 20331-001 | 54.0 | 235.5 |
| 95-02 | Airplane Flight Manual | C | 1 | 13772-001 | 1.2 | - |

P/N 13772-001
6/6/2011



SR22_FM06_1019

| Location | Length | Width | Height | Volume |
|---------------------|--------|-------|--------|-----------|
| Cabin | 122" | 49.3" | 49.7" | 137 cu ft |
| Baggage Compartment | 36" | 39.8" | 38.5" | 32 cu ft |

Figure 6-5
Airplane Interior Dimensions

Cirrus Design
SR22

anges and
weight and

age of
ing Basic
ty Weight
MOM/
1000

SYSTEMS
DESCRIPTION

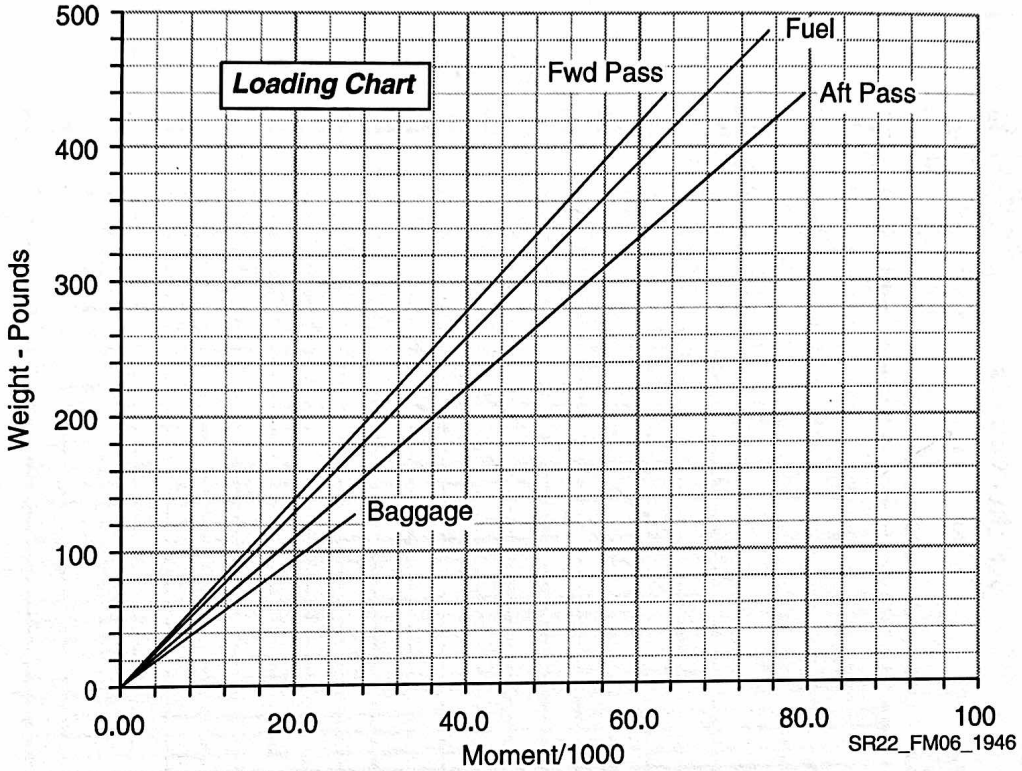
HANDLING, SERVO
& MAINT

SUPPLEMENTS

3772-001
Reissue A

Loading Data

Use the following chart or table to determine the moment/1000 for fuel and payload items to complete the Loading Form.



| Weight LB | Fwd Pass FS 143.5 | Aft Pass FS 180.0 | Baggage FS 208.0 | Fuel FS 154.9 | Weight LB | Fwd Pass FS 143.5 | Aft Pass FS 180.0 | Fuel FS 154.9 |
|--------------|----------------------|----------------------|---------------------|------------------|--------------|----------------------|----------------------|------------------|
| 20 | 2.87 | 3.60 | 4.16 | 3.10 | 260 | 37.31 | 46.80 | 40.27 |
| 40 | 5.74 | 7.20 | 8.32 | 6.20 | 280 | 40.18 | 50.40 | 43.37 |
| 60 | 8.61 | 10.80 | 12.48 | 9.29 | 300 | 43.05 | 54.00 | 46.47 |
| 80 | 11.48 | 14.40 | 16.64 | 12.39 | 320 | 45.92 | 57.60 | 49.57 |
| 100 | 14.35 | 18.00 | 20.80 | 15.49 | 340 | 48.79 | 61.20 | 52.67 |
| 120 | 17.22 | 21.60 | 24.96 | 18.59 | 360 | 51.66 | 64.80 | 55.76 |
| 140 | 20.09 | 25.20 | (27.04)* | 21.69 | 380 | 54.53 | 68.40 | 58.86 |
| 160 | 22.96 | 28.80 | | 24.78 | 400 | 57.40 | 72.00 | 61.96 |
| 180 | 25.83 | 32.40 | | 27.88 | 420 | 60.27 | 75.60 | 65.06 |
| 200 | 28.70 | 36.00 | | 30.98 | 440 | 63.14 | 79.20 | 68.16 |
| 220 | 31.57 | 39.60 | | 34.08 | 460 | | | 71.25 |
| 240 | 34.44 | 43.20 | | 37.18 | 486** | | | 75.28 |

*130 lb Maximum

**81 U.S. Gallons Usable

Figure 6-7
Loading Data

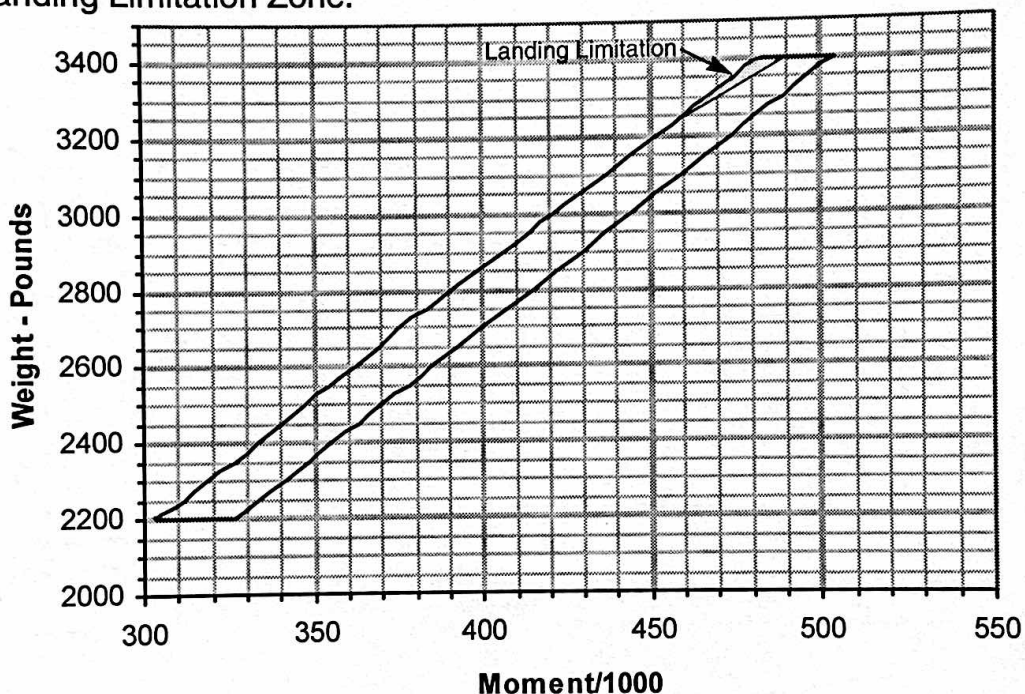
DESCRIPTION

Moment Limits

Use the following chart or table to determine if the weight and moment from the completed Weight and Balance Loading Form are within limits.

• Caution •

Before landing, verify aircraft weight and moment do not fall in the Landing Limitation Zone.



| Weight LB | Moment/1000 | | Weight LB | Moment/1000 | |
|--------------|-------------|---------|--------------|-------------|---------|
| | Minimum | Maximum | | Minimum | Maximum |
| 2200 | 304 | 326 | 2850 | 398 | 422 |
| 2250 | 311 | 333 | 2900 | 406 | 430 |
| 2300 | 318 | 341 | 2950 | 414 | 437 |
| 2350 | 326 | 348 | 3000 | 421 | 444 |
| 2400 | 333 | 355 | 3050 | 429 | 452 |
| 2450 | 340 | 363 | 3100 | 437 | 459 |
| 2500 | 347 | 370 | 3150 | 444 | 467 |
| 2550 | 354 | 378 | 3200 | 452 | 474 |
| 2600 | 362 | 385 | 3250 | 460 | 481 |
| 2650 | 369 | 392 | 3300 | 467 | 489 |
| 2700 | 375 | 400 | 3350 | 475 | 496 |
| 2750 | 383 | 407 | 3400 | 483 | 504 |
| 2800 | 390 | 415 | | | |

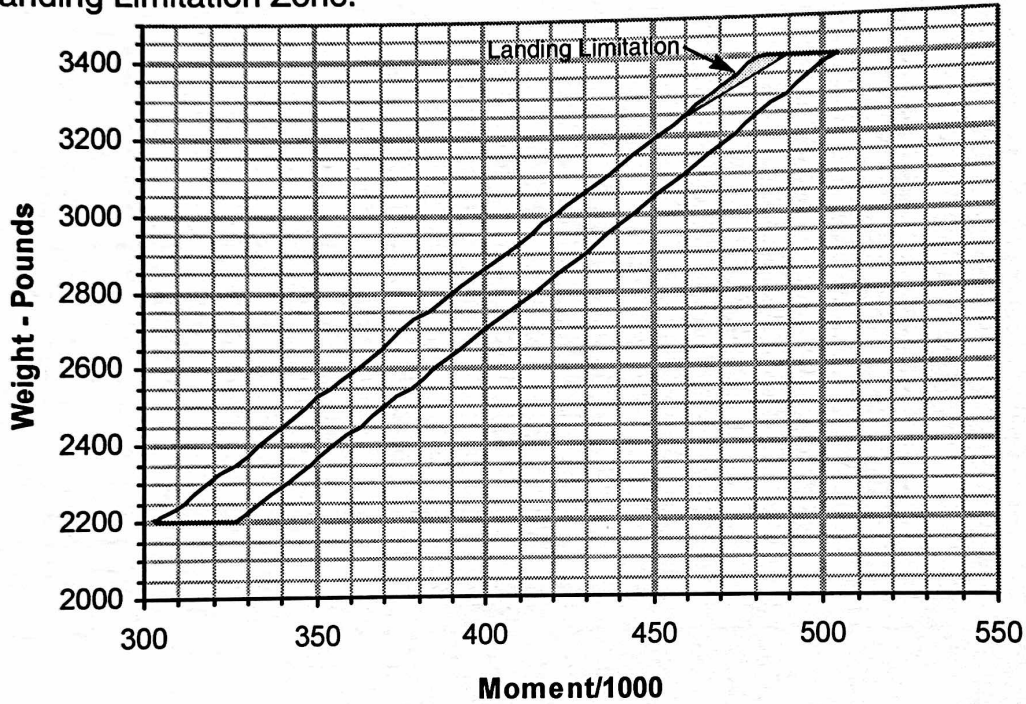
**Figure 6-8
Moment Limits**

Moment Limits

Use the following chart or table to determine if the weight and moment from the completed Weight and Balance Loading Form are within limits.

• **Caution** •

Before landing, verify aircraft weight and moment do not fall in the Landing Limitation Zone.



| Weight LB | Moment/1000 | | Weight LB | Moment/1000 | |
|--------------|-------------|---------|--------------|-------------|---------|
| | Minimum | Maximum | | Minimum | Maximum |
| 2200 | 304 | 326 | 2850 | 398 | 422 |
| 2250 | 311 | 333 | 2900 | 406 | 430 |
| 2300 | 318 | 341 | 2950 | 414 | 437 |
| 2350 | 326 | 348 | 3000 | 421 | 444 |
| 2400 | 333 | 355 | 3050 | 429 | 452 |
| 2450 | 340 | 363 | 3100 | 437 | 459 |
| 2500 | 347 | 370 | 3150 | 444 | 467 |
| 2550 | 354 | 378 | 3200 | 452 | 474 |
| 2600 | 362 | 385 | 3250 | 460 | 481 |
| 2650 | 369 | 392 | 3300 | 467 | 489 |
| 2700 | 375 | 400 | 3350 | 475 | 496 |
| 2750 | 383 | 407 | 3400 | 483 | 504 |
| 2800 | 390 | 415 | | | |

Figure 6-8
Moment Limits