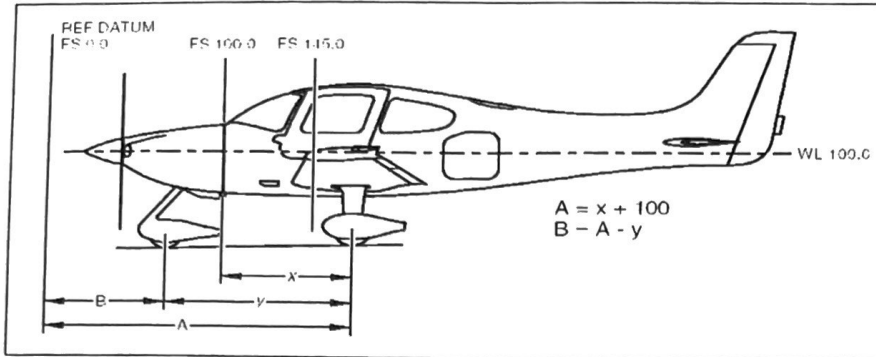


**Cirrus Design Corporation
SR22 Weights, Balance, and Equipment List**



Date:		12/21/2007
Registration Number:		N531SR
Serial Number:		2438



WEIGHING POINT	Scale Reading	Tare	Net Weight	ARM	MOMENT
Left Main					
Right Main					
Nose Gear					
Empty Weight	0		2349	139.85	328500
				14.1%	
Space below is provided for additions or subtractions					
Wing engine preheat system			1.9	76.0	144.400
					0.000
					0.000
					0.000
					0.000
					0.000
					0.000
Unusable Fuel					0.000
					0.000
			2350.9	139.8	328644.400
Basic Empty Weight			2350.9	139.8	328.644
			CG (%MAC)	14.0%	